

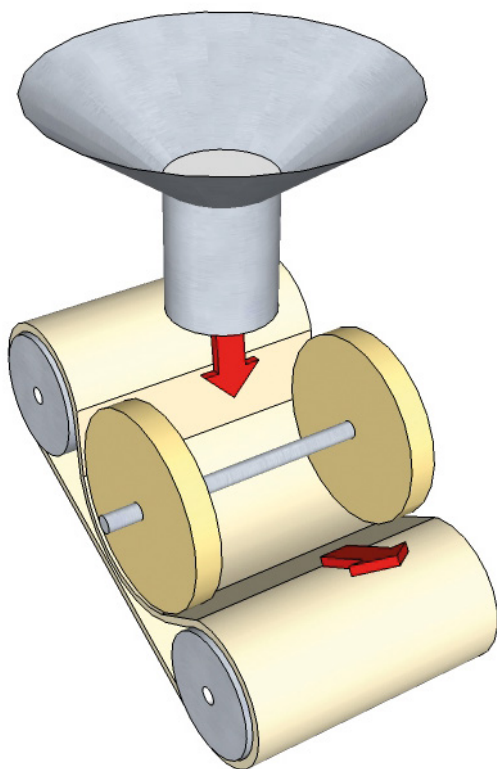
Slingroll Belts

SLEEVE BELTS (WITHOUT JOINT) FOR HIGH SPEED DEVICES IN THE BULK MATERIAL PROCESSING

Our belts are sleeve (truly endless, without splice).

They are designed and manufactured to suit the high speed conveying application required in the bulk material positioning (moving, storing, loading for transport).

We offer a very wide choice of structures (carcass and covers) that allow our belts to be used for any application, eliminating short belt life, elements separation, difficult tracking and other common problems.



The main advantages of our sleeve belts are:

- ability to run at high speed (up to 26 m/s) around small pulleys thanks to the high longitudinal flexibility and to the high resistance that prevent the covers separation;
- structure suitable to run on devices requiring flexions and counter deflections;
- high tensile strength, low elongation also at high loads and transversal stability due to the carcass design and used materials;
- easy tracking due to the uniformity in strength and thickness and thanks to the balancing of the entire structure;
- the advanced production process allows us to guarantee thickness and weight uniformity all over the surface and very tight dimensional tolerances;
- longer service life due to the high quality rubber covers compounds.

AVAILABLE SIZES

THICKNESS	from 4 mm to 25 mm
WIDTH¹	up to 1600 mm
LENGTH¹	up to 20 m

¹wider and longer belts available upon request

STRUCTURES	
CARCASS	<ul style="list-style-type: none"> – From 2 to 5 syntetic fabrics; – Breaking strength from 200 to 1250 daN/cm;
TRANSVERSAL STIFFNESS LAYERS AND BREAKERS	Textile or steel inserts according to the application requirements
LATERAL EDGES	Cut or sealed edges



RUBBER COVERS ²			
TYPE	COLOR	Hardness (ShA)	FEATURES
M	Black	65° (± 5)	Antistatic, high wear resistance
MC	Black	65° (± 5)	Antistatic, heat resistant
NC	Black	65° (± 5)	Antistatic, oil and grease resistance
NB	White	70° (± 5)	High wear resistance and FDA approved
NCB	White	65° (± 5)	Oil and grease resistance
HB	White	65° (± 5)	Good wear, oil, grease and heat resistance

²Different compounds available upon request

Our technical department can easily design and suggest the most suitable belt type/structure for any application. Just fill in the pertaining questionnaire and send it with your enquiry.



WIN WIN S.r.l.
 Cap. Soc. € 100.000,00 i.v.
 C.F P.iva e Reg. Impr. CO 03289090130
 www.BeltTS.com

Operational & Legal Address
 Via Risorgimento, 8
 22044 Inverigo (CO)
 Italy

Tel. +39 031.604111
 Fax. +39 031.604399
 info@winwingomma.com
 info@beltts.com

Drawing, materials and other data are subject to changes prior notice by WinWin S.r.l. All right reserved. Publication is protected by copyright and cannot be reproduced in any part without permission by the Company. Please, be aware that WinWin S.r.l. is the only owner of the know-how of former Cigo Industria Gomma S.r.l.