

CATROLL/POLYCATROLL/MULTICATROLL

(Questionnaire for HAUL-OFF UNITS)

MACHINE TYPE

Manufacturer

Speedm/min

Pulley diametermm

Pulling forcedaN

Pressure roller diametermm

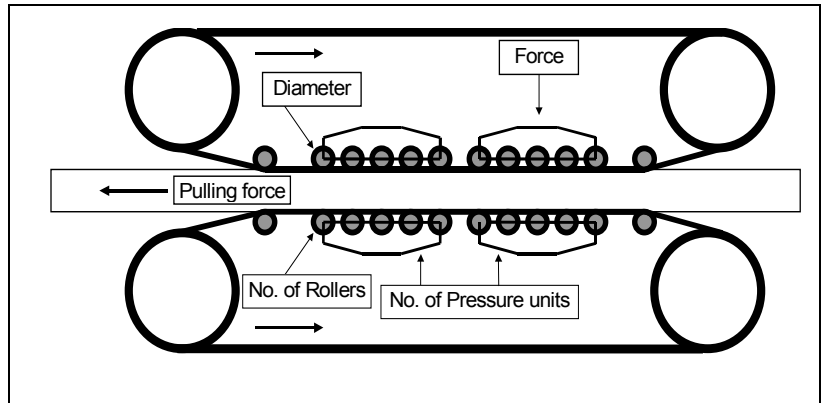
Pressure roller per unitsn°

Total pressure unitsn°

Pressure cyl. diameter per unitsmm

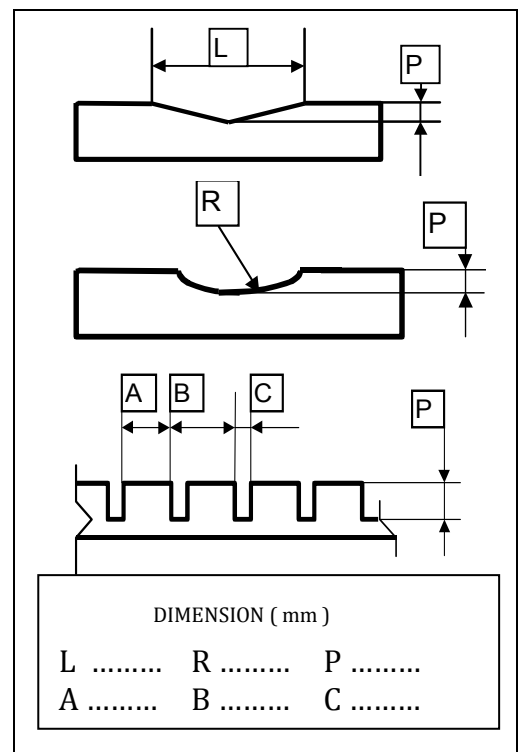
Cylinder pressureBar

Other information



BELT'S SPECIFICATION

Top cover	Smooth		no	yes
	Transversal grooves		no	yes
	Longitudinal grooves		no	yes
	Hardness		Sh/A
Bottom cover	Smooth		no	yes
	Poly-V	Type	no	yes
	Timing belt	Type	no	yes
Size	Inner length		mm
	Width		mm
	Thickness		mm



USED BELT

Manufacturer Reason for replacing

abraded
broken
other

Type

Lifetime h

Remarks

PULLED MATERIAL

Covered cable	PVC	rubber	metal	Presence of oil	yes	no.
Tube-pipe	PVC	rubber	other	Presence of solvents	yes	no.
Extruded profiles	PVC	rubber	other	Temperatures	yes °C
Dimension mm					

GENERAL CUSTOMER DATA

Company name Contact name Haul-off units in plant no.

Tel. Fax Yearly requirements no.

Address E-mail